

V12 User Manual

V12 counterfeit detector have the detect function of UV (365nm), WM (Watermark), detect the banknotes, credit card and passport and other secure document, which can fully meet the market need.

1. Technology Parameter

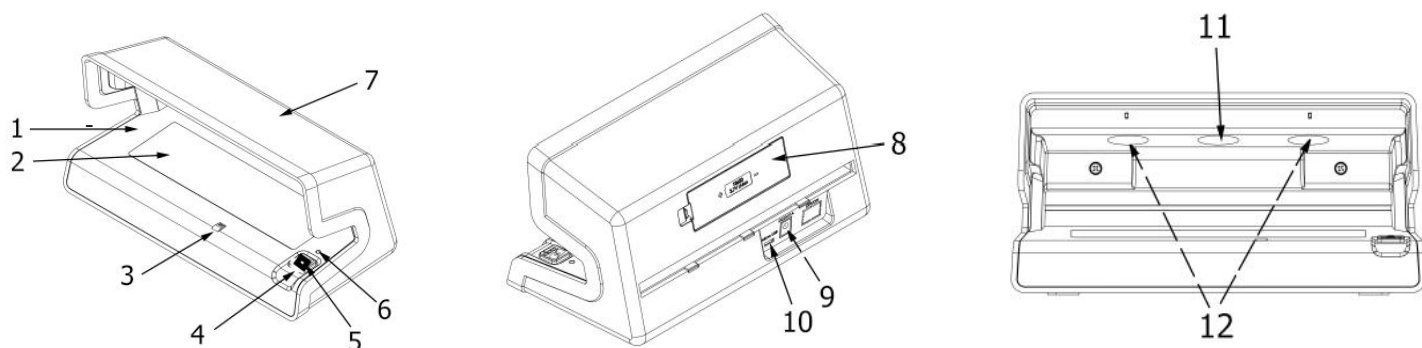
Power Supply	DC 5V/1.0A
Dimension	211x103x103 mm (L x W x H)
Net Weight	0.41 kg
Gross Weight	15 kg (24 units in 1 carton)
Carton Size	50x470x360 mm (L x W x H)
Ambient Temperature	0°C ~ 40°C
Storage Temperature	-20°C ~ 40°C
Ambient Humidity	40 ~ 90%RH
Power Consumption	5W (Max.)

2. Safety Caution

Please follow all warnings and instructions

- ⌘ Only allow to use the specified power supply indicated in the label on the back cover or user manual.
If not sure the local power type, please consult the local power supply unit.
- ⌘ May cause the burning, explosion or damage to the unit if not correctly use the specified power supply.
- ⌘ Do not put anything into the unit, this may cause a short circuit and spark to burning.
- ⌘ Remove the plug from the socket when meet below situation:
 - A. The power cord or plug is damaged or worn.
 - B. The water seeps into the machine.
 - C. The unit is exposed to rain or water.
 - D. If there is obvious abnormality in the unit performance.
- ⌘ Do not use this unit in the presence of water or other liquids.
- ⌘ Remove the plug before cleaning, do not wash with liquid detergent, but clean with a damp cloth.
- ⌘ In order to avoid electric shock, please do not disassemble the unit, when need the maintenance service, please ask the help of the professional service personnel.
- ⌘ Do not put the unit under the high temperature and humidity, bright light, otherwise it may miswork, please use indoors, away from the source of interference.
- ⌘ If do not use for a long time, remove the plug from the wall socket.

3. Main Spare Part Brief:



<ol style="list-style-type: none"> 1. Inside Cover 2. Watermark Area 3. UV Feeding Sensor (Auto Start Sensor) 4. Power Indicator Light 5. Button 6. Battery Indicator Light 7. Outside Cover 	<ol style="list-style-type: none"> 8. Battery Cover (optional: 1860 lithium battery $\geq 2000\text{mAh}$) 9. Optional: DC Power Socket 10. Micro USB Port 11. Basic: 1*2W UV(365 nm) in the middle area 12. Optional: 2*2W UV on the both sides
---	--

4. Function Brief

4.1 Product Function

Standard Mode: the buzzer beep once for each press (factory setting),

Silent Mode: the buzzer is silent for each press.

Standby Mode: the light that is currently on will be automatically closed at regular time (factory setting).

Always Mode: the light is on all the time.

- **UV:**

At the standby state, when the UV feeding sensor is covered to activate, the UV light will be on, or press the button to activate the UV function to observe the ultraviolet image of the banknote or security document.

It will automatically enter the standby state after 30 seconds.

- **Watermark :**

Press the button to activate the watermark function, the white light in the watermark area will be on, observe the watermark feature of the banknote or security document.

It will automatically enter the standby state after 50 seconds.

- **Lithium Battery Use and Charging Function (optional) :**

If the unit choose this function, it can use the 18650 lithium battery and to be charged in the unit directly. Automatic shutdown after 5 minutes without operation.

Note: the battery capacity must be greater than or equal to 2000mAh.

4.2 Button Function

Long press for 3 seconds	the buzzer beeps once, power on and off status switch.
Long press for 6 seconds	the buzzer beeps twice, standard mode and silent mode switch, when in the status of power-on.
Long press for 6 seconds with the paper cover the auto start sensor	the buzzer beeps long time, the standby mode and always mode switch, when in the status of power-on.
Press one time	UV light up and watermark white light up, 2 modes switch.

4.3 Lithium Battery Use and Charging Function Brief (optional)

Status	Explanation
Battery indicator light is not on	No battery or no charge
Battery indicator red light is always on	Be charging
Battery indicator green light is always on	Charge complete
Battery indicator red light flash	Out of order (charge timeout or over voltage)

Warm Tips:

1. Do not install the battery in reverse, do not put together with the key and other metal items.
2. Take out the battery when the unit is out of use for a long time.
3. When the battery power is about to run out, please charge it as soon as possible, otherwise the battery will be scrapped. It should be recharged at least once when leaving unused for a month.

5. Daily Maintenance and Repair

- ☞ Clean the dust at fixed period for several months, so as not to affect the performance.
- ☞ In order to ensure your life safety, we remind you must use a well grounded DC power supply;
- ☞ Do not put in damp place, in case of electric leakage and electric shock,
- ☞ When not using the unit for a long time, please turn off the power to extend the service life;
- ☞ Any abnormal situation or fault should be dealt with in time or contacted with the after-sales service personnel;
- ☞ In order to make sure the unit's counterfeit detection ability and work properly, please do not let the unit work in the strong magnetic and light environment.